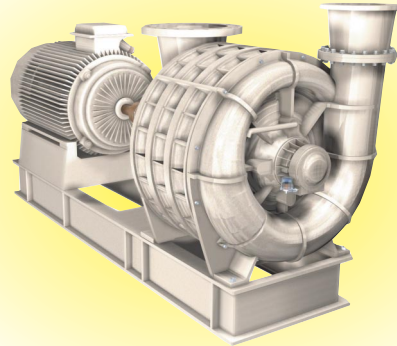


TECHNICAL DATA SHEET

TECHNICAL DATA

Number of stage : 1 thru 8 (cast) - 1 thru 11 (fabricated)
 Inlet connection : 8" (202 mm) flange, matches 125# ANSI
 Outlet connection : 8" (202 mm) flange, matches 125# ANSI
 Operating speed : 3550 rpm in direct drive (60Hz), 4400 with gear box or V-belt
 Lubrication : Oil type with constant level (grease optional)
 Impeller diameter : 24" (611 mm)
 Impeller tip speed : 372 f/s (113 m/s)
 Drive : Direct drive or gear box or V-belts
 Vibration tolerance : 1.25 mils peak-to-peak (4.5 mm /s)
 Shaft end : 2" 3/8 (60 mm), inlet end drive standard.

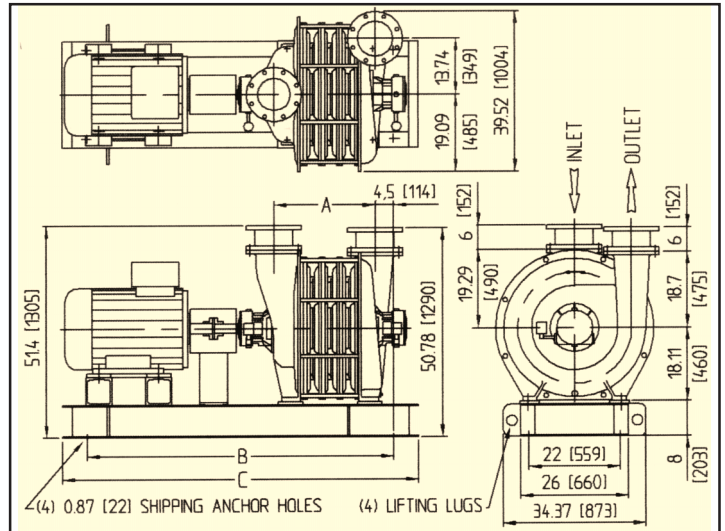
"77" SERIES



AIR & GAS

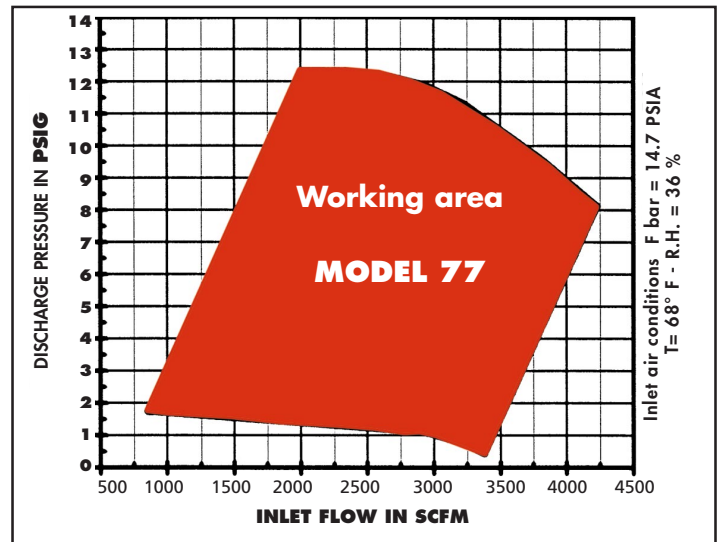
MATERIALS OF CONSTRUCTION

Head, Sections, Bearing housings : Cast iron ASTM A-48 Class 35B
 Tie rods : 13/16" (20 mm) diameter cold drawn steel A60
 Joint sealing compound : RTV IS502 Silicone
 Seals (air) : Two graphit rings each end
 Seals (gas) : Four carbon rings each end with inert gas injection
 Bearings : Ball bearings 6313 C3 per AFBMA B10 STANDARD
 Shaft : AISI 1038 Carbon Steel or equivalent
 Impellers : Cast aluminium ASTM 360 ; fabricated aluminium ASTM 6061
 Baffle rings : Stainless steel
 Motor pedestal : Structural steel.
 Base pads : Korfund Elasto-rib or equivalent
 Noise level : In compliance with OSHA standards when machine is fully piped (certified tests available).



BLOWER SIZE	"A"	"B"	"C"	WEIGHT		ROTOR WK ² (lb. ft ²)	
				LBS	KG	CAST	FABRIC.
7701	11.42 (290)	54.0 (1372)	66.0 (1676)	1980	900	11.95	3.86
7702	15.75 (400)	60.0 (1524)	72.0 (1829)	2290	1040	23.75	7.66
7703	20.08 (510)	66.0 (1676)	74.0 (1880)	2600	1180	35.55	11.46
7704	24.41 (620)	74.0 (1880)	86.0 (2184)	2930	1330	47.35	15.26
7705	28.74 (730)	86.0 (2184)	98.0 (2489)	3260	1480	59.15	19.06
7706	33.07 (840)	90.0 (2286)	102.0 (2591)	3550	1610	70.95	22.86
7707	37.40 (950)	90.0 (2286)	102.0 (2591)	3810	1730	82.75	26.66
7708	41.73 (1060)	102.0 (2591)	114.0 (2896)	4140	1880	94.55	30.46
7709	46.06 (1170)	114.0 (2896)	132.0 (3200)	4470	2030	106.35	34.26

DIMENSIONS ARE IN INCHES AND (MM)
 ACTUAL DIMENSIONS MAY VARY SLIGHTLY TO SUIT APPLICATION



Values, dimensions and reference in this brochure are approximate and intended as a guide only, not for construction and are subject to change without notice.

CONTINENTAL BLOWER LLC . CONTINENTAL BLOWER LLC . CONTINENTAL BLOWER LLC . CONTINENTAL BLOWER LLC .

